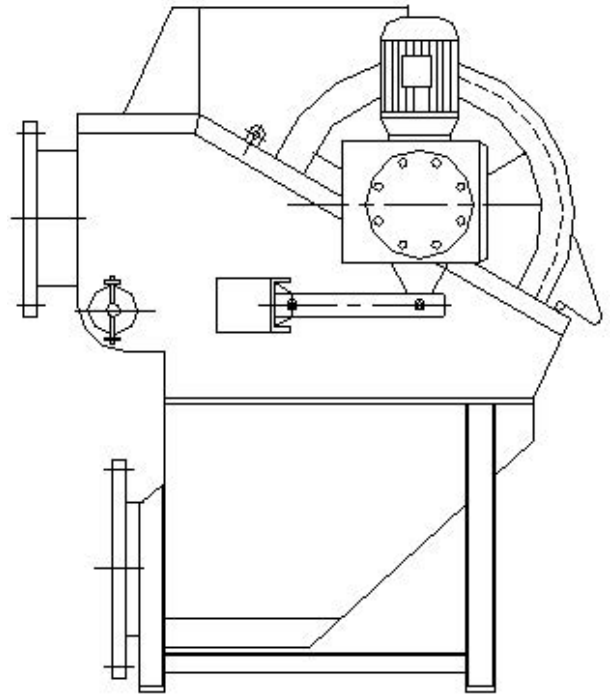
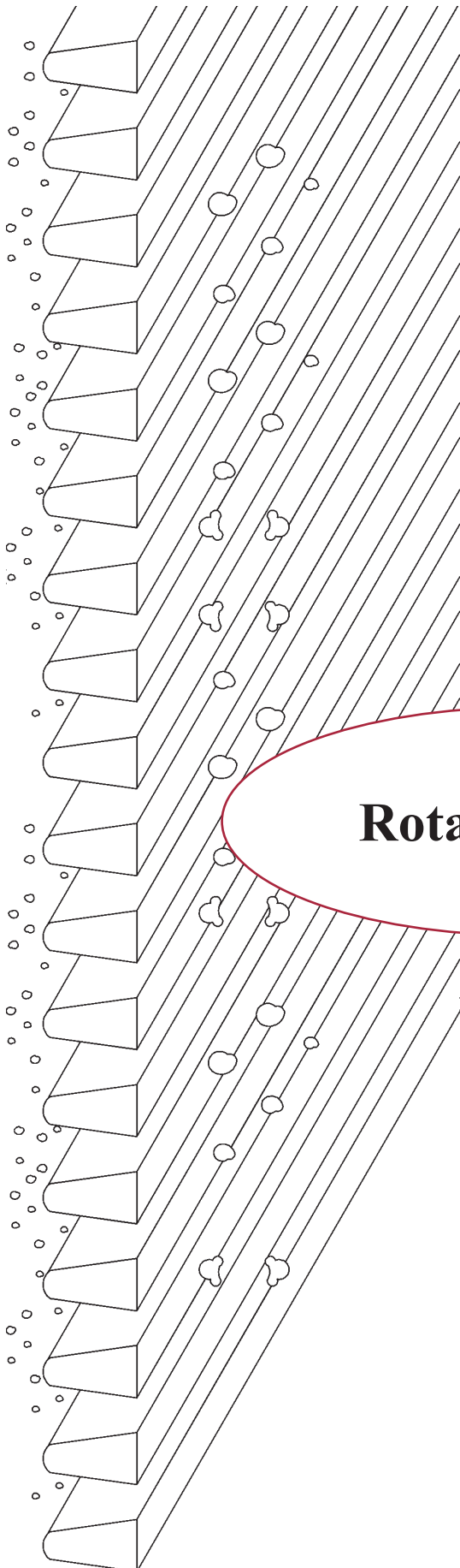
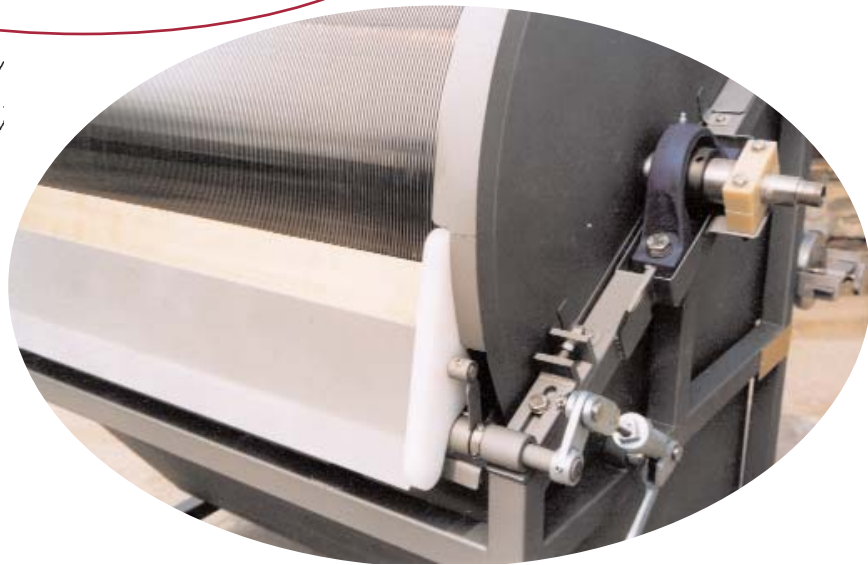


Rotary Drumfilters

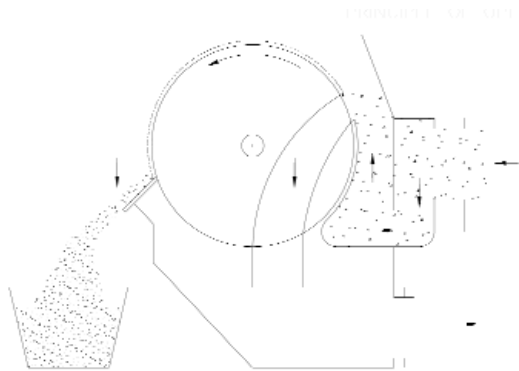


Rotary Drums

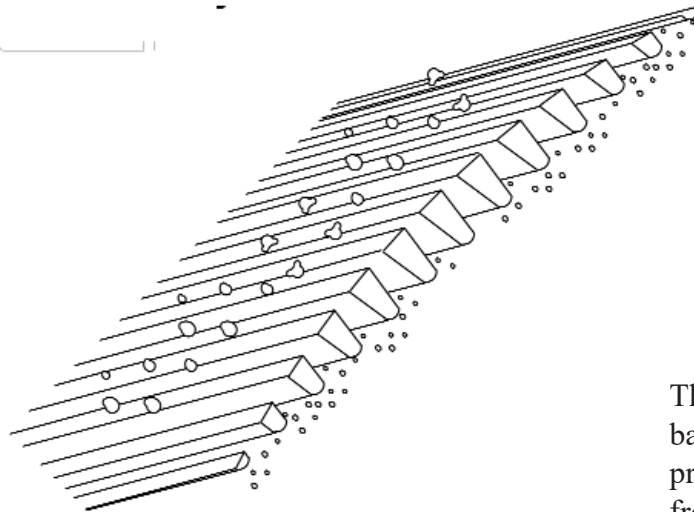


Rotary Drumfilter - Simple - Efficient

The operation of the drumfilter is based on the principle of swimming and floating solids that stick on the rotating drum while the liquid flows through the slots of the wedge wire drum. By the rotating-drum the solids are carried out of the liquid and removed by a scraper mechanism. The scraper is pressed to the drum by an adjustable springmechanism. The scraper is made of brass or a wearing resistant plastic. The drum is driven by a motorreductor at a low number of revolutions. The whole construction is made of SS304



PRINCIPLE OF OPERATION



The sprymechanism (4-6 bar) at the inside of the drum prevents blocking of the slots from the backside caused by the scraper pressing the solids in the slots

Application for swimming and floating solids

WASTEWATER/PROCESSWATER

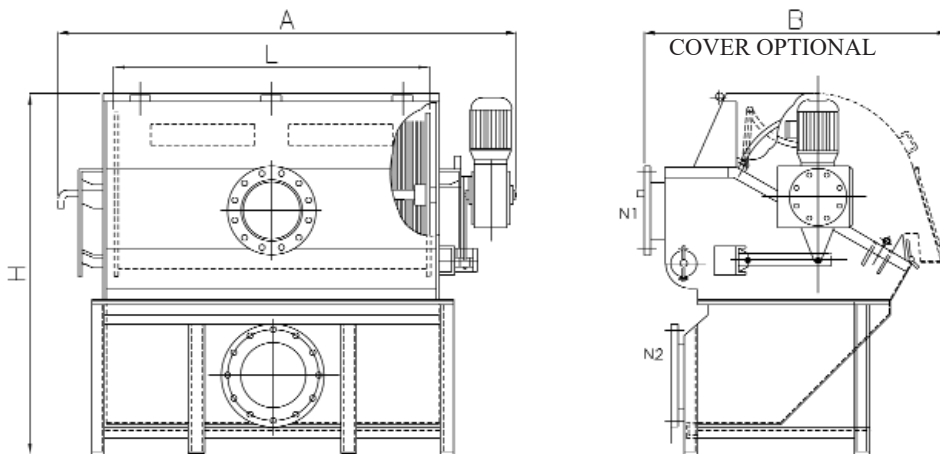
- * Meat and vegetable processing industry
- * (Petro) Chemical industry
- * Plastic handling industry
- * Sewage treatment
- * Wash-installations
- * Animal waste and petfood industry
- * Paper- en textile industry
- * Sugarindustry



Type	RDF300	RDF600	RDF900	RDF1200	RDF1500	RDF 1800/B	RDF3000
Diameter Cylinder mm	630	630	630	630	630	630/916	916
Length Cylinder mm Motor	300	600	900	1200	1500	1800/1800	3000
kW	0,37	0,55	0,55	0,75	0,75	0,75/1,1	1,5
Weight empty (kg) Weight full (kg)	230	295	364	430	500	568/70	1360
A (mm)	835	1130	1435	1765	2070	2370/2275	3505
B (mm) H (mm)	1170	1170	1170	1170	1170	1170/1560	1560
Inlet (PN10)	DN100	DN150	DN200	DN250	DN300	DN300/350	DN300 (2x)
Outlet (PN10)	DN150	DN200	DN250	DN300	DN350	DN350/400	DN600
Slotsize in mm	Capacity m ³ /hour						
0,25 mm	26	52	78	103	128	156/195	318
0,50 mm	45	92	135	184	230	270/347	579
0,75 mm	61	123	189	246	307	336/477	759
1,00 mm	74	153	230	307	383	444/606	1011
1,25 mm	82	173	258	340	432	492/711	1186
1,50 mm	92	190	278	370	485	552/817	1362
2,00 mm	104	208	298	390	522	624/939	1566
2,50 mm	113	213	339	405	565	378/1062	1771
4,00 mm	113	213	339	405	565	678/1062	1771

ABOVE DATA ARE BASED ON LIQUIDS WITH A SUSPENDED SOLIDS CONTENT OF MAX. 200 MG/L; HIGHER DIRT-LOADS REDUCE THE FLOWRATE

ON REQUEST WE SUPPLY : COVER WITH WINDOW, LEVEL INDICATOR, OVERFLOW, HIGH TEMPERATURE DESIGN



V & T Filtergroup Einsteinstraat 8
 3281 NJ Numansdorp
 The Netherlands
 Tel : 0186 574151*
 Fax : 0186 573722
 E-mail : info@v-tfiltergroup.com
<http://www.v-tfiltergroup.com>